



T.S.K. CRANE SERVICE CO.,LTD.

Tel : 0-2874-0011, 0-1641-9621-2 Fax : 0-2874-0309

Load Chart

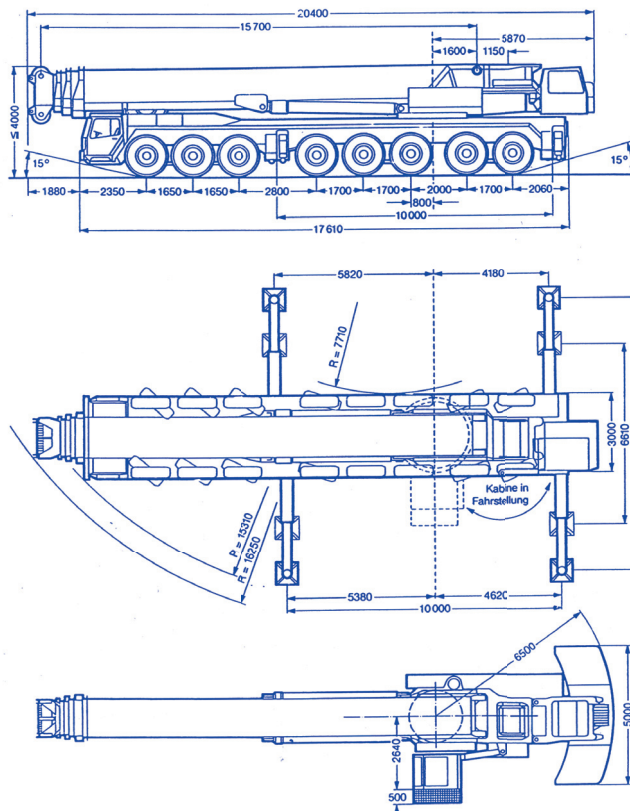


**FOR ALL TERRAIN CRANE 450 TONS
MODEL : LIEBHERR LTM - 1450**

CRANE SPECIFICATIONS

Max. Lifting Height	450 ton (450,000 kg.)	Working Radius 2.7 m.	
Boom	Boom Section	3 Sections	
	Length	15.7 / 21.4 / 26.1 / 27 / 31.7 / 36.5 / 42.9 / 42.1 / 50 m.	
Jib	Fly (Length)	12 m. - 61 m.	
	Luffing (Length)	21 m. - 84 m.	
Dimensions	Length	20.4 m.	
	Width	3.0 m.	
	Height	4.0 m.	
Wire Rope	Main Winch	25 mm. X 480 m. (Diameter x Length) Spin - resistant wire rope	
Outriggers	2 Stages	Full extended width	10 m.
		Middle extended width	6.61 m.
Tires	Front	14.00 R25 (all wheels)	
	Rear	14.00 R25 (all wheels)	
Weights (Carrier only)	Gross Weight	Total	96,000 kg.

DIMENSIONS (1/100)





26.1 m - 50 m



360°



125 t

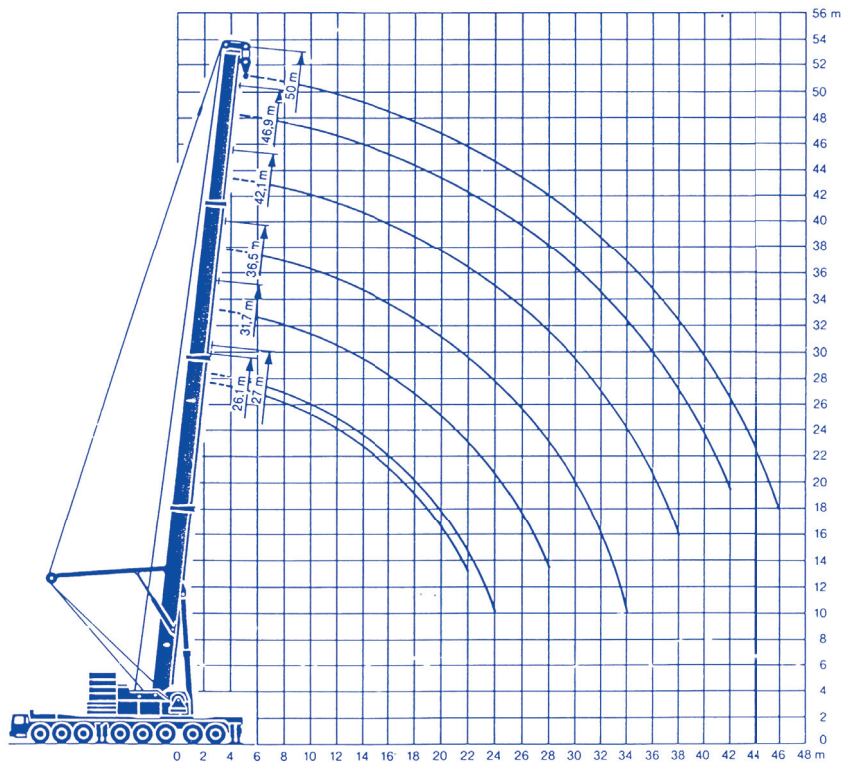


75%

m 5.5 6 7 8 9 10 12 14 16 18 20 22 24 26 28 30 32 34 36 38 40 42 44 46	26.1 m	27 m	31.7 m	36.5 m		42.1 m	46.9	50 m	m 5.5 6 7 8 9 10 12 14 16 18 20 22 24 26 28 30 32 34 36 38 40 42 44 46
200	145	160							200
193	145	160							193
180	145	153	123	90	105	88			180
163	140	146	120	89	103	86	77		163
150	135	138	115	88	100	84	76		150
136	126	128	110	86	98	82	74		136
114	112	110	97	82	88	76	70		114
97	99	96	87	77	79	70	65		97
85	89	85	79	70	72	64	60		85
73	79	74	71	64	65	58	56		73
65	70	65	64	59	59	54	51		65
57	62	58	58	54	54	49.5	47		57
	51	51	52	49.5	49.5	46	43.5		
		45	46	45.5	45.5	42.5	40		
		39.5	41	42.5	42	39.5	37		
			36.5	40	38	37	34		
				33	37.5	34.5	32		
				24	29	31	29.8		
						28.7	28		
						26	26.2		
							24.8		
							22.8		
								21.1	
								17.5	
I	92	0	92	92	0	92	92	100	I
II	0	50	50	92	92	92	92	100	II
% III	0	50	0	0	92	50	92	100	III %

TAB 78048

WORKING RADIUS - LIFTING HEIGHT



LIFTING HEIGHT (m)

WORKING RADIUS (m)





68°
39.6 m - 50 m



21 m - 84 m



360°



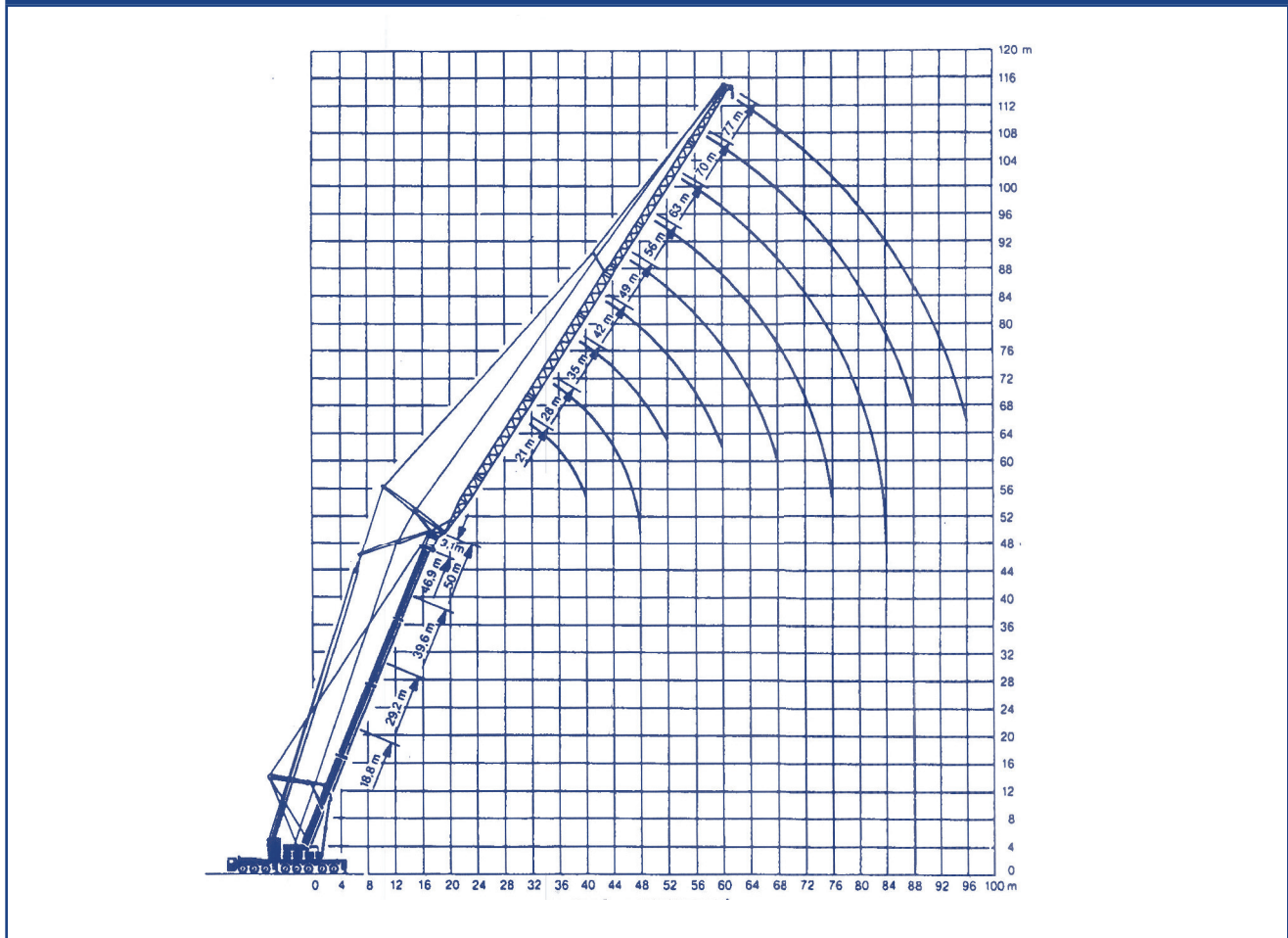
125 t



75%

m	39.6 m											50 m							m	
	21 m	28 m	35 m	42 m	49 m	56 m	63 m	70 m	77 m	84 m	21 m	28 m	35 m	42 m	49 m	56 m	63 m	70 m		77 m
30	34																			30
32	33																			32
34	32.5	29																		34
36	32	28.5									20.1									36
38		28.1	24.8								19.7									38
40		27.8	24.5								19.4									40
44			23.9	20.6								17.1								44
48			22	20.1	17.2							16.5	14							48
52				19.2	16.7	14.5							13.5	11.4						52
56				17.4	16.3	14.1	11.8							11	9.2					56
60					15.5	13.8	11.5	9.1						10.6	8.8	7.1				60
64					14.2	13.4	11.2	8.8	6.9					10.2	8.4	6.7	5.2			64
68						12.2	10.9	8.5	6.7	4.8					8.1	6.4	4.9	3.8		68
72							10.6	8.3	6.5	4.6					7.8	6.2	4.7	3.5	2.6	72
76								9.7	8.1	6.3	4.4					6	4.5	3.3	2.4	76
80									7.9	6.1	4.2					5.8	4.4	3.1	2.2	80
84										6	4.1						4.3	3	2.1	84
88										5.9	4						4.2	2.9	2	88
92										5.7	3.9							2.8	1.9	88
96											3.8									92
100											3.7									96
																				100

WORKING RADIUS - LIFTING HEIGHT



WORKING RADIUS (m)

LIFTING HEIGHT (m)