



**T.S.K. CRANE SERVICE CO.,LTD.**

Tel : 0-2874-0011, 0-1641-9621-2 Fax : 0-2874-0309

# Load Chart

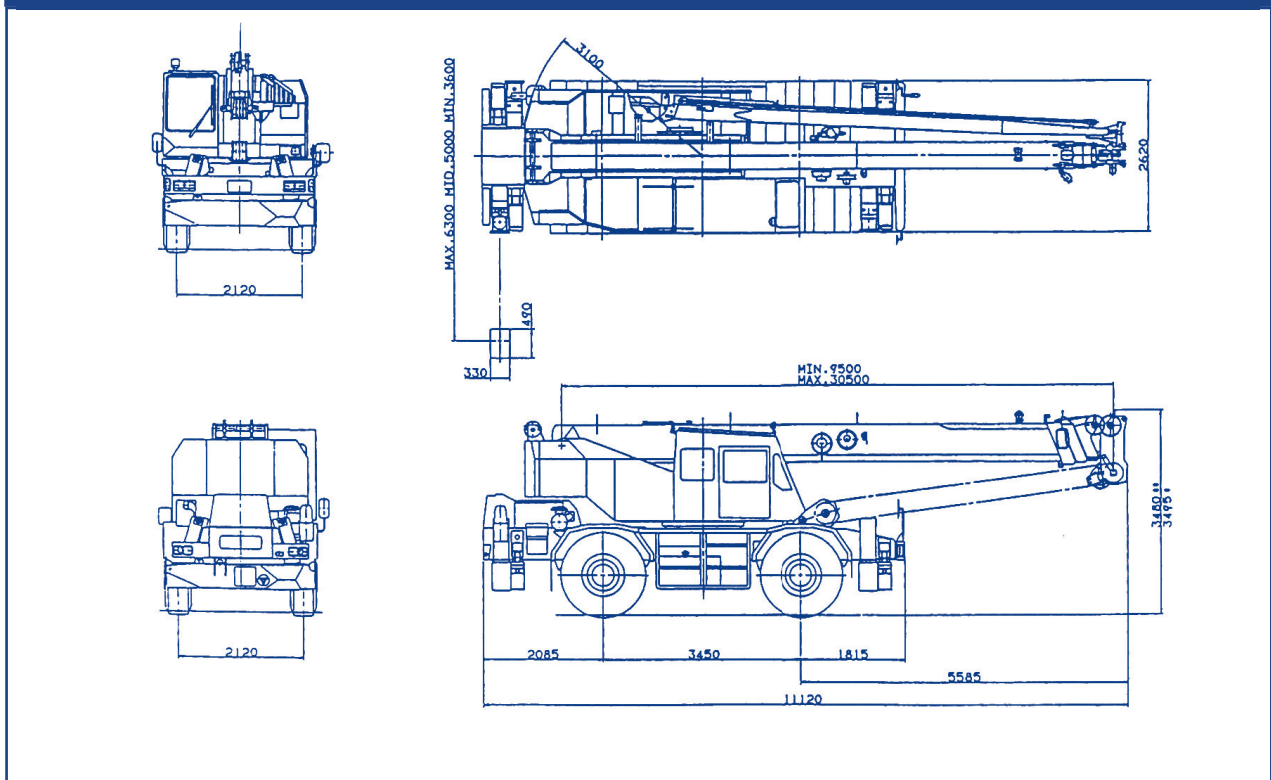


**FOR ROUGH TERRAIN CRANE 25 TONS  
MODEL : TADANO TR - 250M - 5**

### CRANE SPECIFICATIONS

|                     |                     |   |
|---------------------|---------------------|---|
| Max. Lifting Height | 25 ton (25,000 kg.) | Working Radius 3.5 m.   |
| Boom                | Boom Section        | 4 Sections  |
|                     | Length              | 9.5 / 16.5 / 23.5 / 30.5 m.                                       |
|                     | Jib 2               | 8.0 / 13.0 m.   |
| Dimensions          | Length              | 11.12 m.  |
|                     | Width               | 2.62 m.   |
|                     | Height              | 3.495 m.  |
| Wire Rope           | Main Winch          | 16 mm. X 170 m. (Diameter x Length)<br>Spin - resistant wire rope |
|                     | Auxiliary Winch     | 16 mm. X 95 m. (Diameter x Length)<br>Spin - resistant wire rope  |
| Outriggers          | 3 Stages            | Full extended width 6.3 m.  |
|                     |                     | Middle extended width 5.0 m.                                      |
|                     |                     | Minimum extended width 3.6 m.                                     |
| Tires               | Front               | 16.00R25 (OR) or 17.5R29 (OR)                                     |
|                     | Rear                | 16.00R25 (OR) or 17.5R29 (OR)                                     |
| Weights             | Gross Weight        | Total 26,400 kg.  |
|                     |                     | Front 13,200 kg.  |
|                     |                     | Rear 13,200 kg.   |

### DIMENSIONS (1/100)



| TOTAL RATED LOADS |       |        |        |        | Unit : ton |
|-------------------|-------|--------|--------|--------|------------|
| A \ B (m)         | 9.5 m | 16.5 m | 23.5 m | 30.5 m |            |
| 2.5 m             | 25.0  | 19.0   | 12.5   |        |            |
| 3.0 m             | 25.0  | 19.0   | 12.5   | 7.0    |            |
| 3.5 m             | 25.0  | 19.0   | 12.5   | 7.0    |            |
| 4.0 m             | 23.0  | 19.0   | 12.5   | 7.0    |            |
| 4.5 m             | 21.2  | 18.0   | 12.5   | 7.0    |            |
| 5.0 m             | 19.4  | 16.7   | 12.5   | 7.0    |            |
| 5.5 m             | 17.8  | 15.6   | 11.75  | 7.0    |            |
| 6.0 m             | 16.3  | 14.6   | 11.1   | 7.0    |            |
| 6.5 m             | 15.1  | 13.8   | 10.5   | 7.0    |            |
| 7.0 m             | 13.7  | 13.0   | 10.0   | 7.0    |            |
| 8.0 m             |       | 10.9   | 9.0    | 7.0    |            |
| 9.0 m             |       | 8.65   | 8.2    | 6.3    |            |
| 10.0 m            |       | 7.05   | 7.3    | 5.8    |            |
| 11.0 m            |       | 5.85   | 6.4    | 5.3    |            |
| 12.0 m            |       | 4.95   | 5.5    | 4.9    |            |
| 13.0 m            |       | 4.2    | 4.75   | 4.5    |            |
| 14.0 m            |       | 3.6    | 4.1    | 4.15   |            |
| 15.0 m            |       |        | 3.6    | 3.8    |            |
| 16.0 m            |       |        | 3.15   | 3.45   |            |
| 17.0 m            |       |        | 2.8    | 3.05   |            |
| 18.0 m            |       |        | 2.45   | 2.7    |            |
| 19.0 m            |       |        | 2.15   | 2.45   |            |
| 20.0 m            |       |        | 1.9    | 2.2    |            |
| 21.0 m            |       |        | 1.7    | 1.95   |            |
| 22.0 m            |       |        |        | 1.75   |            |
| 24.0 m            |       |        |        | 1.4    |            |
| 26.0 m            |       |        |        | 1.15   |            |
| 28.0 m            |       |        |        | 0.95   |            |

A = Boom length (ความยาวของบูม)  
 B = Working radius (ระยะห่างจากจุดยก)

| TOTAL RATED LOADS FOR JIB |        |      |      |         |      |      | Unit : ton |
|---------------------------|--------|------|------|---------|------|------|------------|
| C                         | 8.0 m. |      |      | 13.0 m. |      |      |            |
| D                         | 5°     | 25°  | 45°  | 5°      | 25°  | 45°  |            |
| E                         | 5°     | 25°  | 45°  | 5°      | 25°  | 45°  |            |
| 83°                       | 3.0    | 2.1  | 1.6  | 2.0     | 1.2  | 0.8  |            |
| 76°                       | 3.0    | 2.1  | 1.6  | 2.0     | 1.2  | 0.8  |            |
| 72°                       | 3.0    | 2.1  | 1.6  | 1.75    | 1.1  | 0.8  |            |
| 70°                       | 2.8    | 2.1  | 1.6  | 1.65    | 1.05 | 0.8  |            |
| 65°                       | 2.35   | 1.8  | 1.5  | 1.4     | 0.95 | 0.78 |            |
| 60°                       | 2.0    | 1.55 | 1.35 | 1.2     | 0.9  | 0.75 |            |
| 55°                       | 1.45   | 1.35 | 1.2  | 1.05    | 0.85 | 0.74 |            |
| 50°                       | 1.05   | 1.0  | 0.95 | 0.85    | 0.75 | 0.7  |            |
| 45°                       | 0.75   | 0.7  | 0.7  | 0.6     | 0.55 | 0.55 |            |
| 40°                       | 0.55   | 0.5  |      | 0.4     | 0.4  |      |            |
| 35°                       | 0.38   | 0.35 |      |         |      |      |            |

C = Jib length  
E = Boom angle

(ขนาดความยาวของจ๊อบ)  
(มุมมองสายของบูม)

D = Jib offset

(มุมมองสายของจ๊อบ)

