



T.S.K. CRANE SERVICE CO.,LTD.

Tel : 0-2874-0011, 0-1641-9621-2 Fax : 0-2874-0309

Load Chart

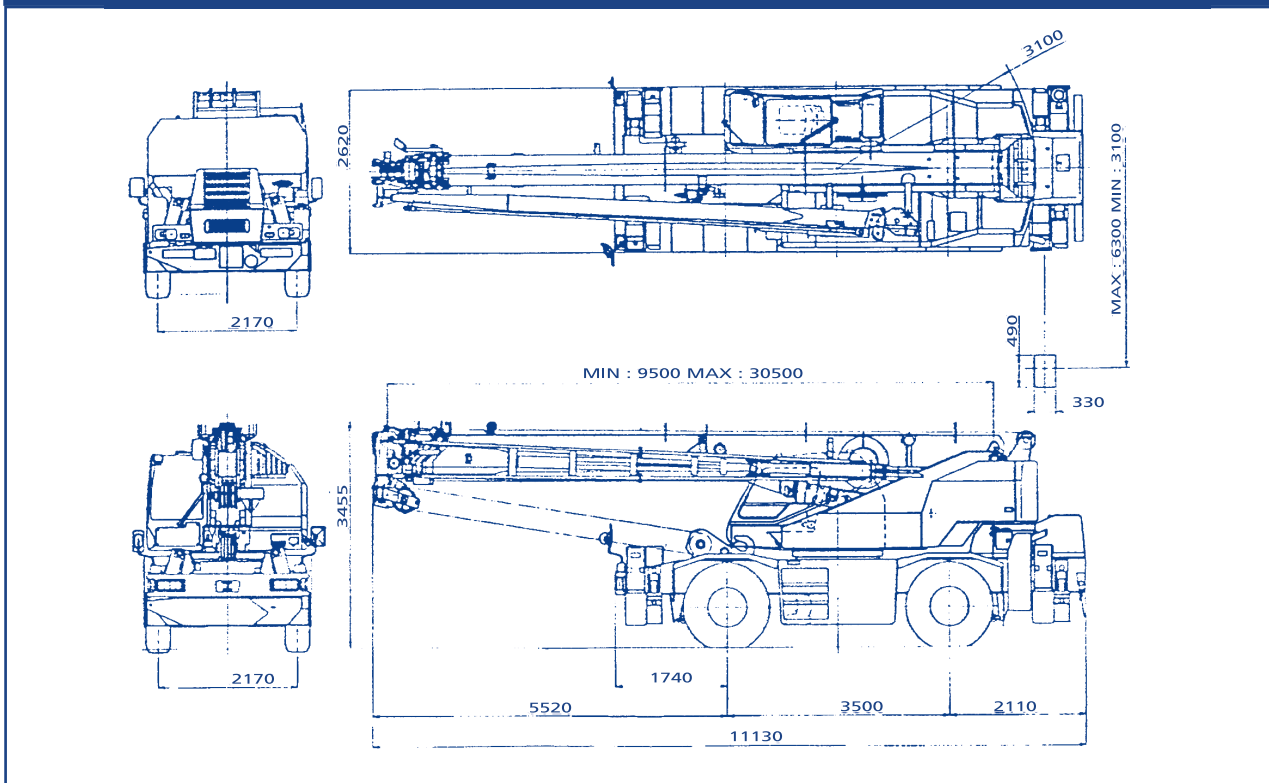


**FOR ROUGH TERRAIN CRANE 25 TONS (CREVO)
MODEL : TADANO TR - 250M - 6**

CRANE SPECIFICATIONS

Max. Lifting Height	25 ton (25,000 kg.)	Working Radius 3.5 m.
Boom	Boom Section	4 Sections
	Length	9.5 / 16.5 / 23.5 / 30.5 m.
	Jib 2	8.0 / 13.0 m.
Dimensions	Length	11.13 m.
	Width	2.62 m.
	Height	3.41 m.
Wire Rope	Main Winch	16 mm. X 170 m. (Diameter x Length) Spin - resistant wire rope
	Auxiliary Winch	16 mm. X 98 m. (Diameter x Length) Spin - resistant wire rope
Outriggers	3 Stages	Full extended width 6.3 m.
		Middle extended width 5.9 m.,5.0m.
		Minimum extended width 3.6m.
Tires	Front	385/95R25 170E ROAD
	Rear	385/95R25 170E ROAD
Weights	Gross Weight	Total 26,495 kg.
		Front 13,250 kg.
		Rear 13,245 kg.

DIMENSIONS (1/100)



TOTAL RATED LOADS										Unit : ton
Outriggers fully extended (6.3m) - 360° -					Outriggers middle extended (5.9m) -Over sides-					
A B	9.5m	16.5m	23.5m	30.5m	A B	9.5m	16.5m	23.5m	30.5m	
2.5m	25.0	19.0	12.5		2.5m	25.0	19.0	12.5		
3.0m	25.0	19.0	12.5		3.0m	25.0	19.0	12.5		
3.5m	25.0	19.0	12.5	7.0	3.5m	25.0	19.0	12.5	7.0	
4.0m	23.0	19.0	12.5	7.0	4.0m	23.0	19.0	12.5	7.0	
4.5m	21.2	18.0	12.5	7.0	4.5m	21.2	18.0	12.5	7.0	
5.0m	19.4	16.7	12.5	7.0	5.0m	19.4	16.7	12.5	7.0	
5.5m	17.8	15.6	11.75	7.0	5.5m	17.8	15.6	11.75	7.0	
6.0m	16.3	14.6	11.1	7.0	6.0m	16.3	14.6	11.1	7.0	
6.5m	15.1	13.8	10.5	7.0	6.5m	15.1	13.8	10.5	7.0	
7.0m	13.7	13.0	10.0	7.0	7.0m	13.0	12.6	10.0	7.0	
8.0m		10.55	9.0	7.0	8.0m		9.7	9.0	7.0	
9.0m		8.5	8.2	6.3	9.0m		7.7	8.2	6.3	
10.0m		7.05	7.3	5.8	10.0m		6.3	7.0	5.8	
11.0m		5.85	6.4	5.3	11.0m		5.2	6.0	5.3	
12.0m		4.95	5.5	4.9	12.0m		4.35	5.1	4.9	
13.0m		4.2	4.75	4.5	13.0m		3.7	4.35	4.5	
14.0m		3.6	4.1	4.15	14.0m		3.15	3.8	4.05	
15.0m			3.6	3.8	15.0m			3.3	3.6	
16.0m			3.15	3.45	16.0m			2.85	3.15	
17.0m			2.8	3.05	17.0m			2.5	2.75	
18.0m			2.45	2.7	18.0m			2.2	2.45	
19.0m			2.15	2.45	19.0m			1.95	2.2	
20.0m			1.9	2.2	20.0m			1.7	1.95	
21.0m			1.7	1.95	21.0m			1.5	1.75	
22.0m				1.75	22.0m				1.55	
24.0m				1.4	24.0m				1.2	
26.0m				1.15	26.0m				0.95	
28.0m				0.95	27.9m				0.75	
a (°)	0 ~ 83				a (°)	0 ~ 83				

A = Boom length (ความยาวของบูม)
 B = Working radius (ระยะห่างจากจุดยก)
 a = Boom angle range (for the unladen condition) (มุมองศา)

TOTAL RATED LOADS FOR JIB

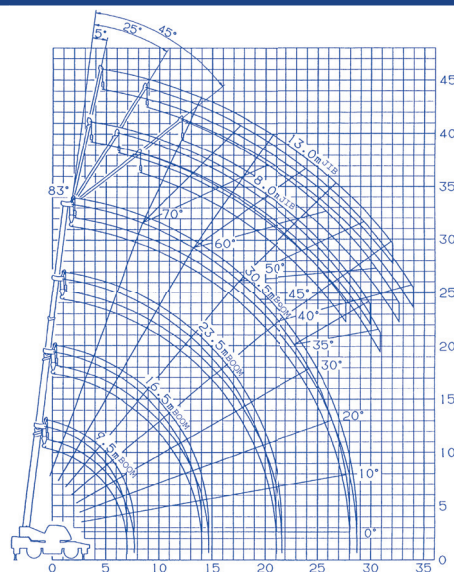
Unit : ton

Outriggers fully extended (6.3m) -360°-													
C	30.5m Boom + 8.0m Jib						30.5m Boom + 13.0m Jib						
	5°		25°		45°		5°		25°		45°		
	B (m)	M	B(m)	M	B(m)	M	B(m)	M	B(m)	M	B(m)	M	
83	4.4	3.0	7.1	2.1	9.0	1.6	5.8	2.0	10.0	1.2	13.4	0.8	
76	9.4	3.0	12.0	2.1	13.6	1.6	11.7	2.0	15.5	1.2	18.3	0.8	
72	12.2	3.0	14.7	2.1	16.0	1.6	14.8	1.75	18.4	1.1	20.9	0.8	
70	13.5	2.8	15.9	2.1	17.3	1.6	16.2	1.65	19.8	1.05	22.2	0.8	
65	16.5	2.35	18.8	1.8	20.0	1.5	19.8	1.4	23.1	0.95	25.1	0.78	
60	19.4	2.0	21.6	1.55	22.5	1.35	23.1	1.2	26.1	0.9	27.8	0.75	
55	22.1	1.45	24.1	1.35	24.8	1.2	26.2	1.05	29.0	0.85	30.3	0.74	
50	24.6	1.05	26.4	1.0	26.9	0.95	29.0	0.85	31.4	0.75	32.4	0.7	
45	26.9	0.75	28.4	0.7	28.7	0.7	31.5	0.6	33.5	0.55	34.1	0.55	
40	29.1	0.55	30.2	0.5			33.6	0.4	35.0	0.4			
35	31.0	0.38	31.8	0.35									
a (°)	34 ~ 83			44 ~ 83			39 ~ 83			44 ~ 83			

Outriggers middle extended (5.9m) Unit : ton -Over sides-													
C	30.5m Boom + 8.0m Jib						30.5m Boom + 13.0m Jib						
	5°		25°		45°		5°		25°		45°		
	B (m)	M	B(m)	M	B(m)	M	B(m)	M	B(m)	M	B(m)	M	
83	4.4	3.0	7.1	2.1	9.0	1.6	5.8	2.0	10.0	1.2	13.4	0.8	
76	9.4	3.0	12.0	2.1	13.6	1.6	11.7	2.0	15.5	1.2	18.3	0.8	
72	12.2	3.0	14.7	2.1	16.0	1.6	14.8	1.75	18.4	1.1	20.9	0.8	
70	13.5	2.8	15.9	2.1	17.3	1.6	16.2	1.65	19.8	1.05	22.2	0.8	
65	16.5	2.35	18.8	1.8	20.0	1.5	19.8	1.4	23.1	0.95	25.1	0.78	
60	19.3	1.85	21.6	1.55	22.5	1.35	23.1	1.2	26.1	0.9	27.8	0.75	
55	22.0	1.3	24.1	1.15	24.8	1.1	26.2	1.05	29.0	0.85	30.3	0.74	
50	24.4	0.9	26.3	0.85	26.9	0.8	28.9	0.7	31.3	0.6	32.3	0.6	
45	26.7	0.6	28.3	0.55	28.7	0.55	31.4	0.5	33.4	0.	34.0	0.4	
40	28.8	0.4	30.1	0.35			33.6	0.3					
a (°)	39 ~ 83			44 ~ 83			39 ~ 83			44 ~ 83			

B = Working radius (ระยะห่างจากจุดยก) C = Jib length (ขนาดความยาวของจ๊يب)
 D = Jib offset (มุมมองศายของจ๊يب) E = Boom angle (มุมมองศายของบูม)
 M = Total rated loads a = Boom angle range (for the unladen condition) (มุมมองศาย)

WORKING RADIUS - LIFTING HEIGHT



LIFTING HEIGHT (m)

WORKING RADIUS (m)